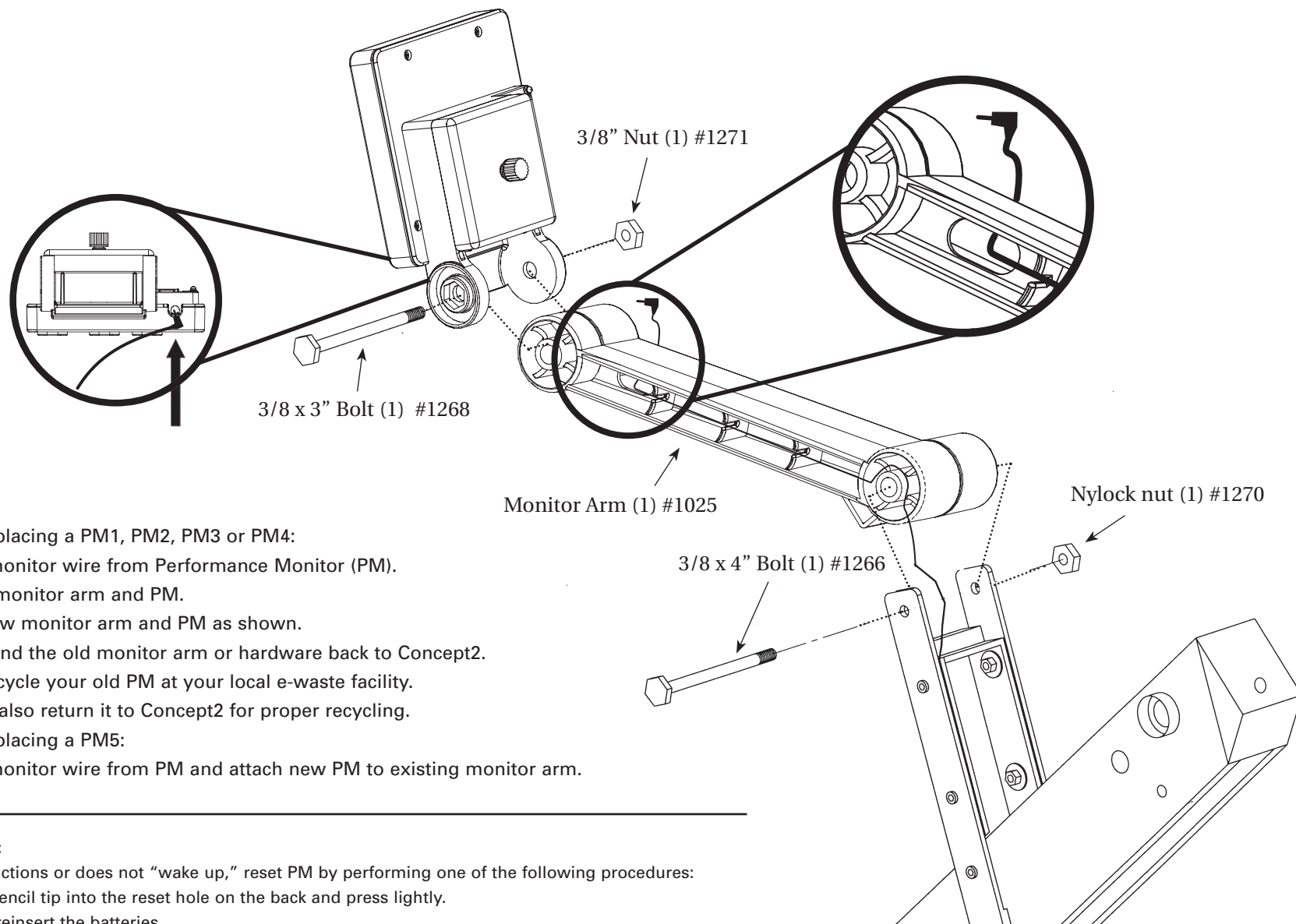


# Retrofitting or Replacing a PM5 on a Model C or Model D Indoor Rower



1. If you are replacing a PM1, PM2, PM3 or PM4:
  - a. Unplug monitor wire from Performance Monitor (PM).
  - b. Remove monitor arm and PM.
  - c. Attach new monitor arm and PM as shown.
  - d. Do not send the old monitor arm or hardware back to Concept2.
  - e. Please recycle your old PM at your local e-waste facility.  
You may also return it to Concept2 for proper recycling.
2. If you are replacing a PM5:
  - a. Unplug monitor wire from PM and attach new PM to existing monitor arm.

## Troubleshooting:

If the PM malfunctions or does not “wake up,” reset PM by performing one of the following procedures:

- Insert a pen/pencil tip into the reset hole on the back and press lightly.
- Remove and reinsert the batteries.
- Replace the batteries with two new alkaline D-cell (LR20) batteries.

Firmware is the computer program that is embedded in and runs your PM5. We recommend running the most current firmware. Periodic firmware updates are available for free download at [concept2.com/pm5firmware](http://concept2.com/pm5firmware).

**concept 2**  
concept2.com