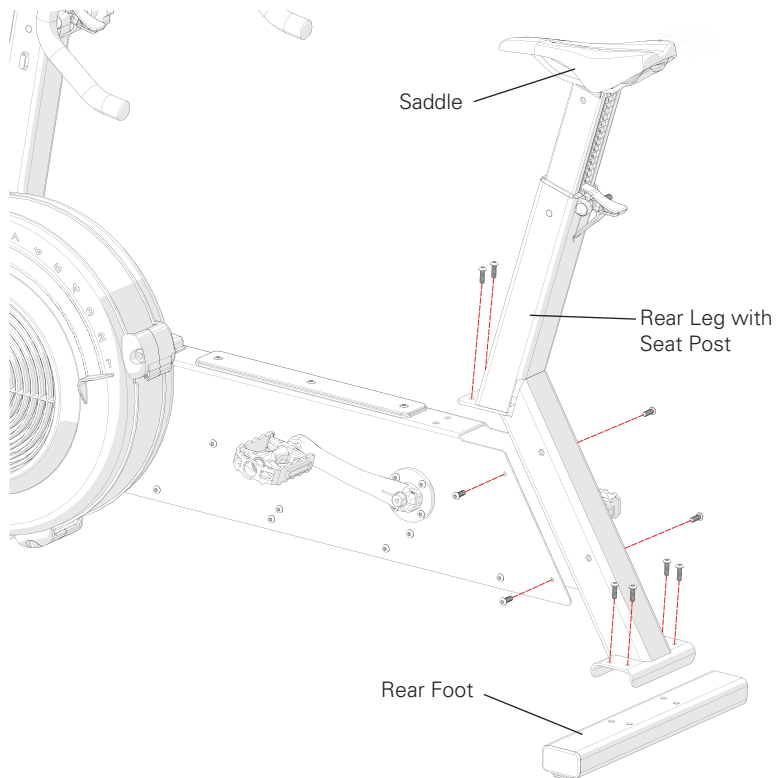


## Short Seat Post Installation for the BikeErg



800.245.5676 info@concept2.com concept2.com



### TOOLS

\*not included



T27 6-Lobe Driver  
(supplied with the BikeErg)

Remove the fasteners as shown. Replace the standard rear leg assembly with the short rear leg assembly. Reinstall the fasteners.