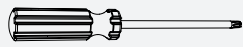
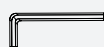


TOOLS *not included

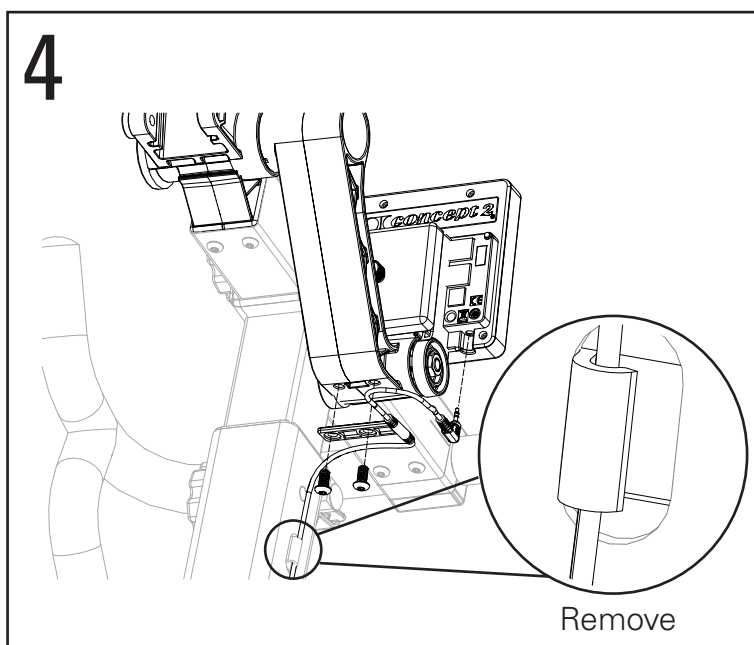
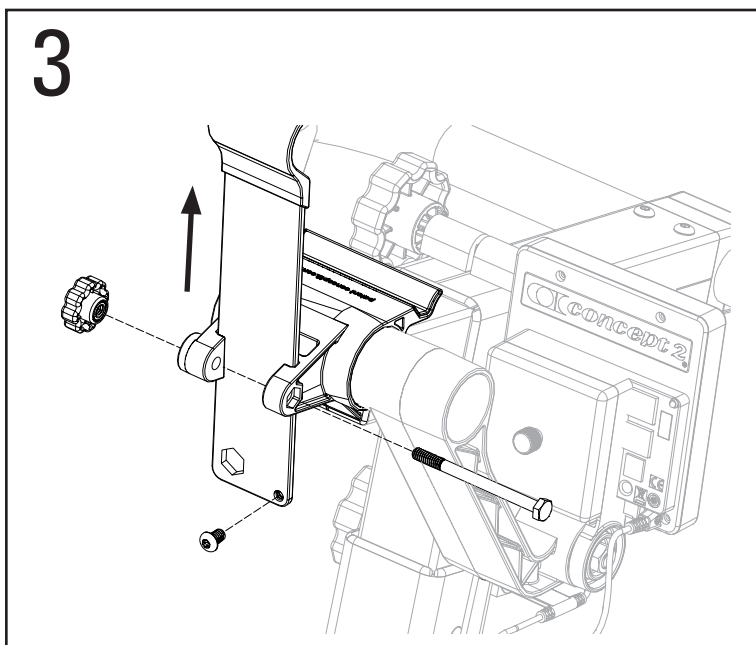
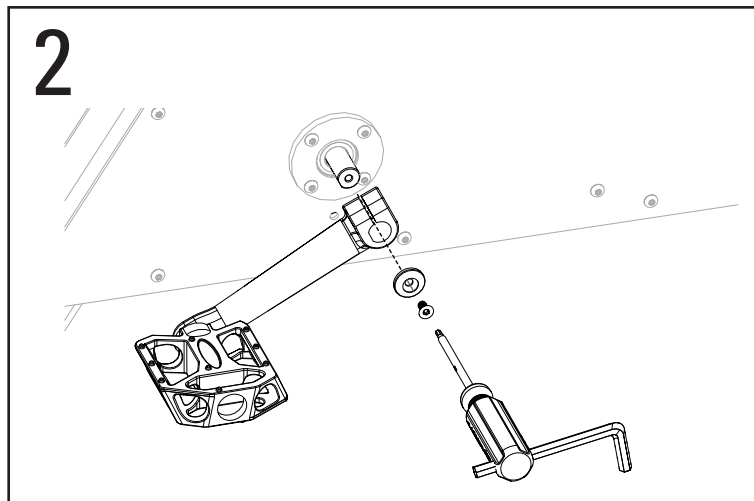
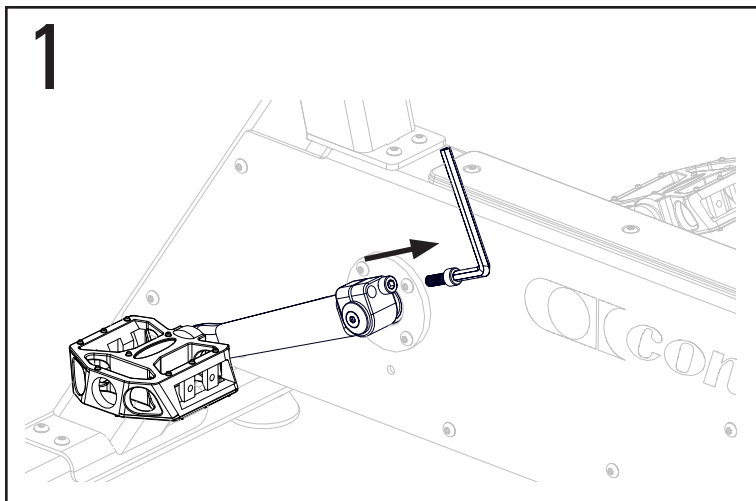
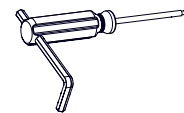


T27 6-Lobe Driver

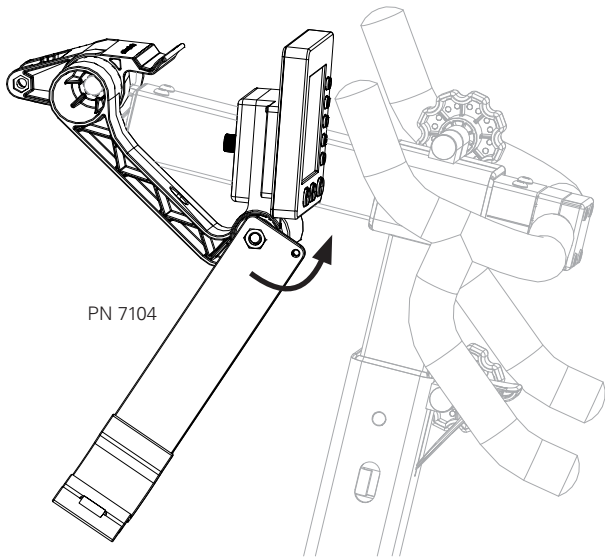


6 mm Lkey

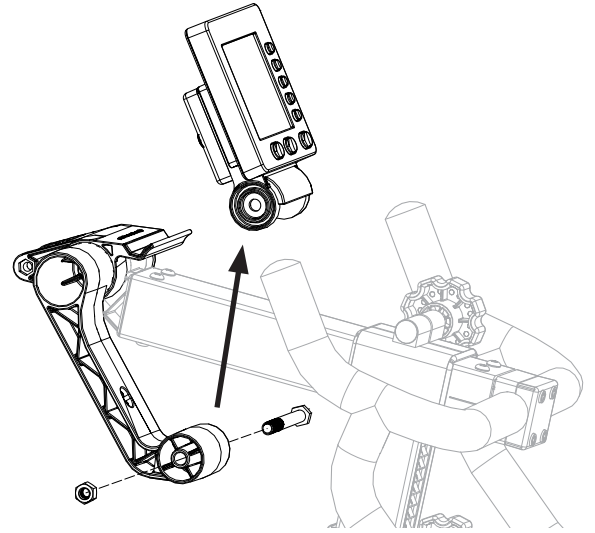
NOTE: Create a T-handle driver out of the T-27 driver and the Lkey to remove tight fasteners.



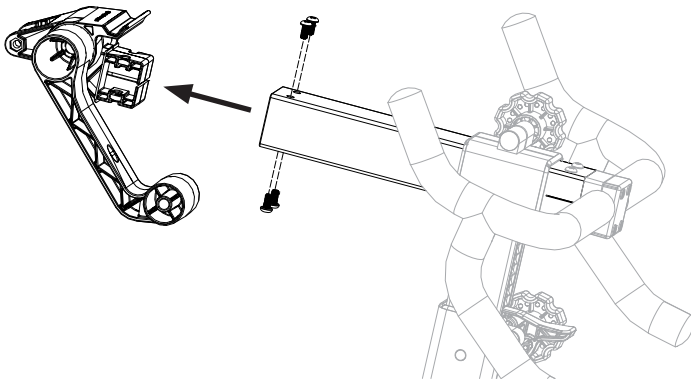
5



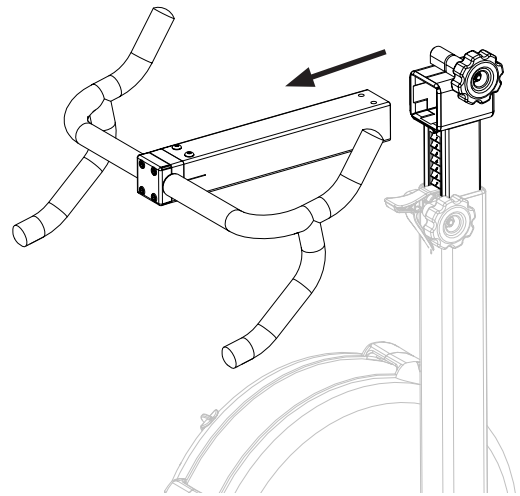
6



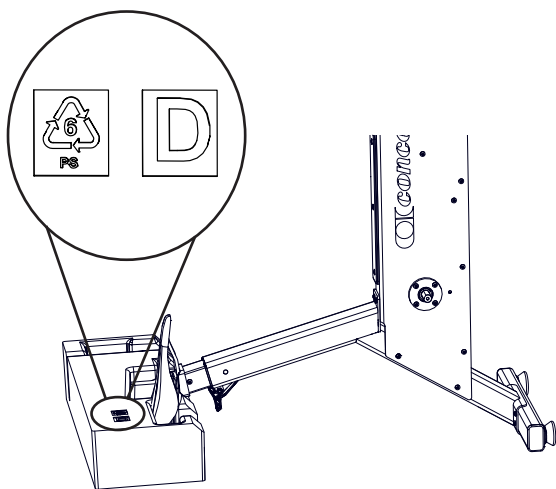
7



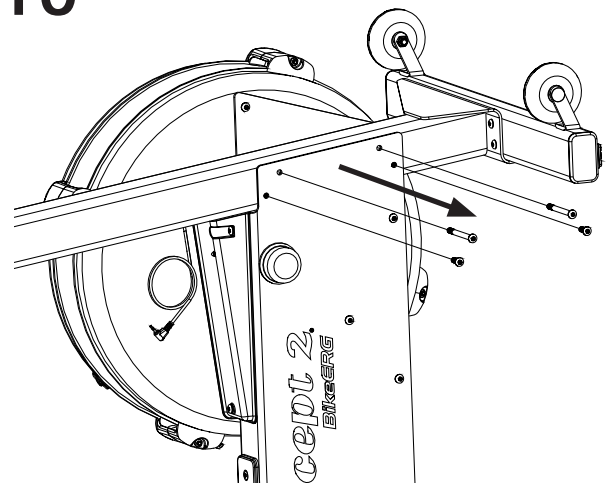
8



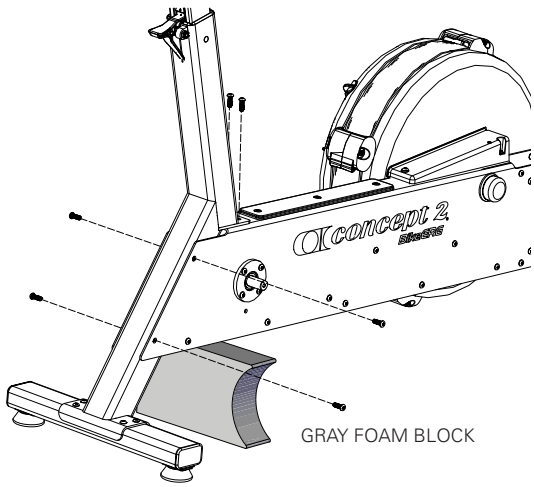
9



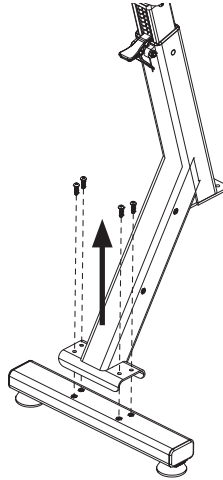
10



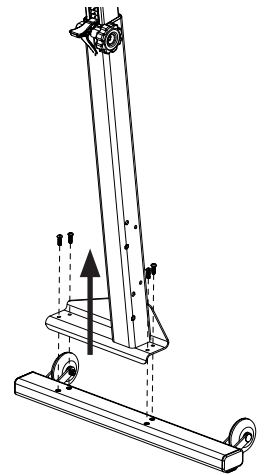
11



12



13



BikeERG REBOXING INSTRUCTIONS

1



2

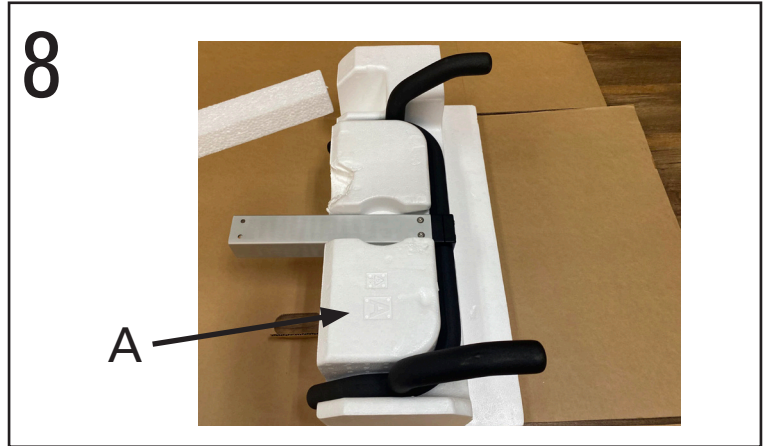
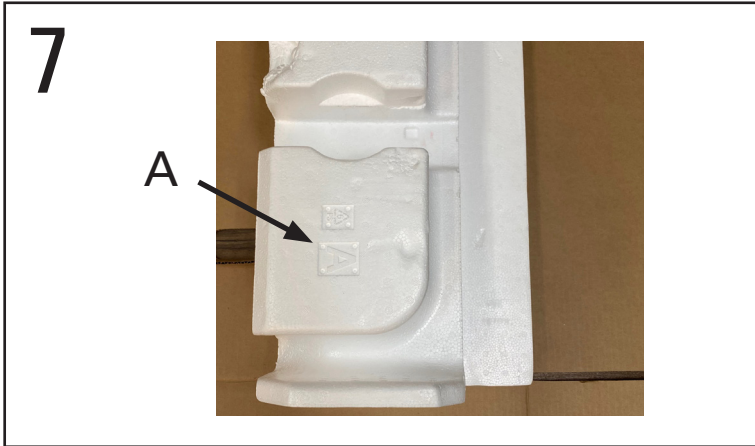
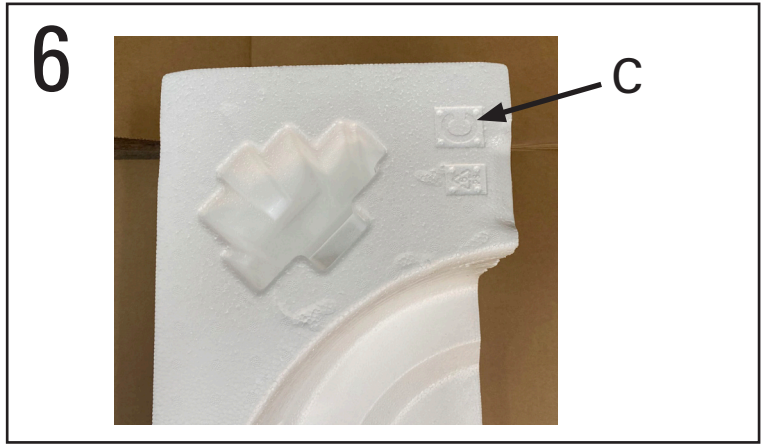


3



4





13

10



14



15



16



17

