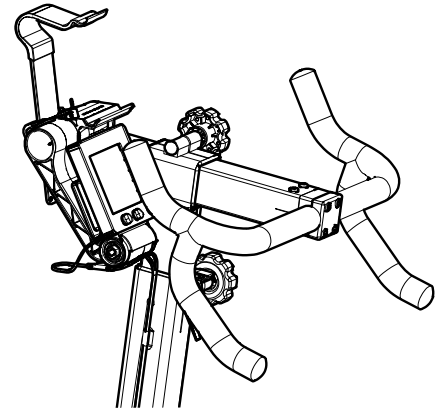
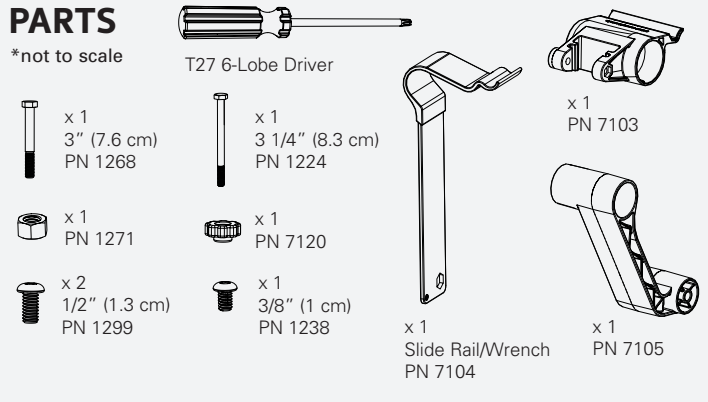


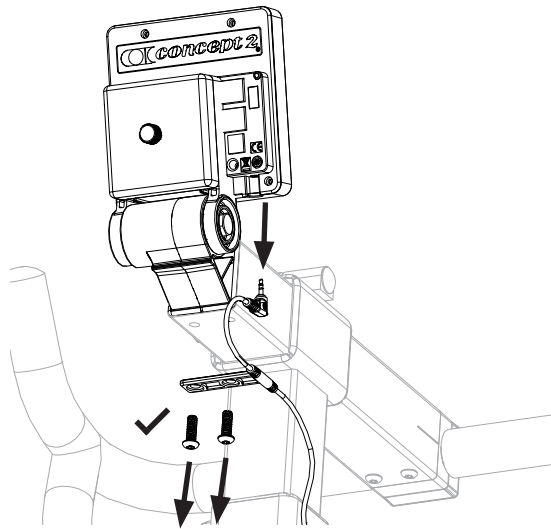
# DEVICE HOLDER INSTALLATION FOR THE BIKEERG

## PARTS

\*not to scale



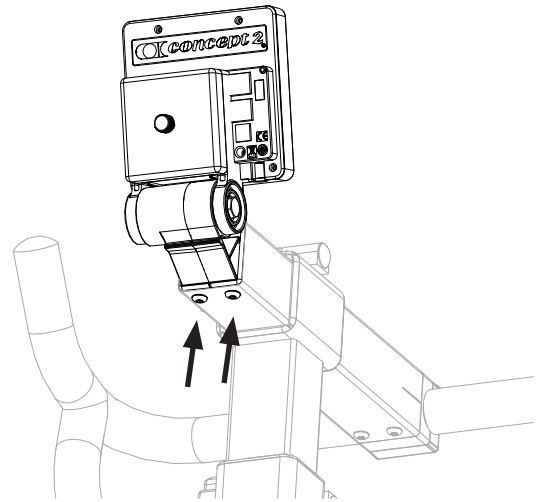
1



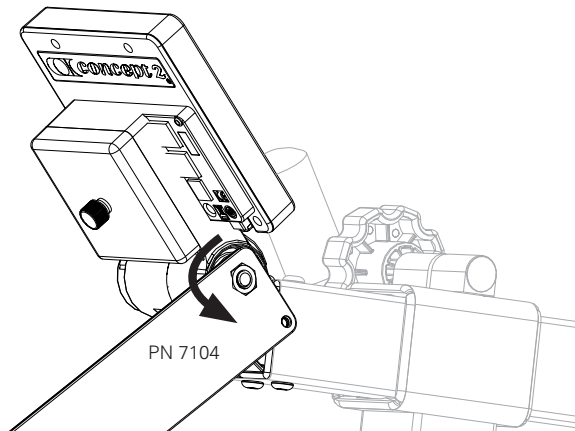
✓ = reuse in step 2

2

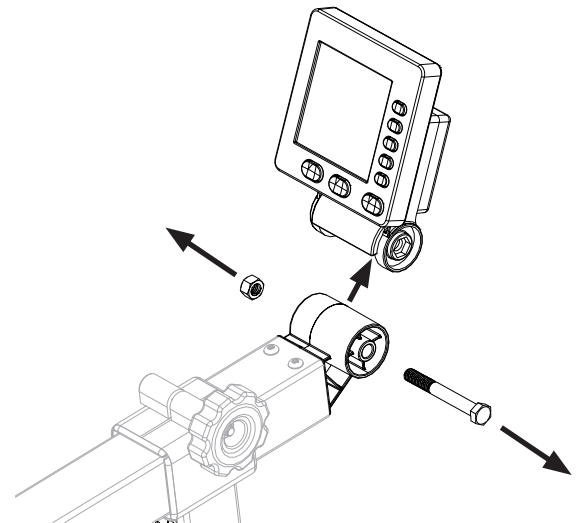
Reuse fasteners from step 1.



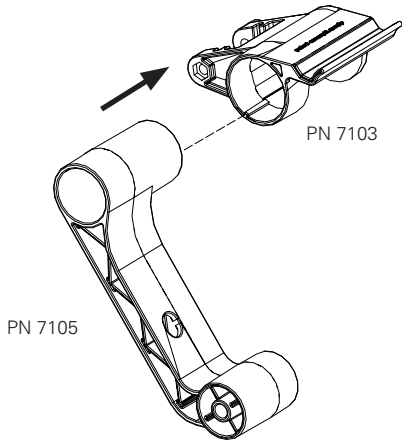
3



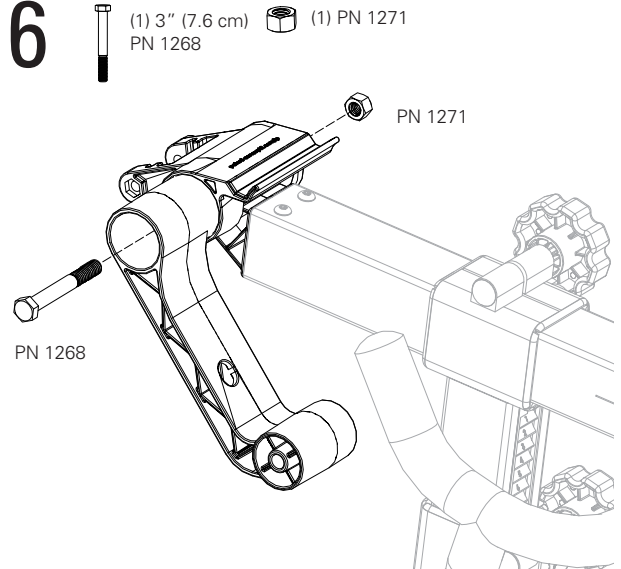
4



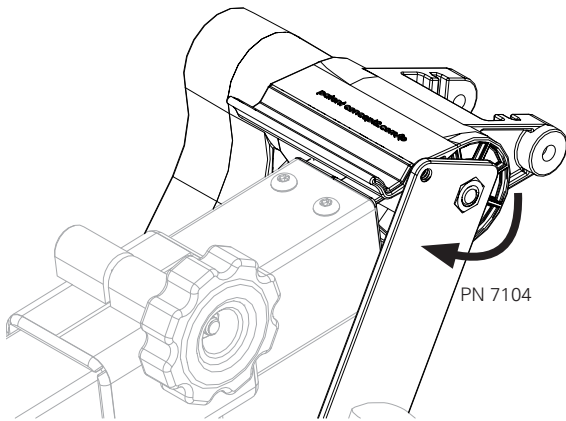
5



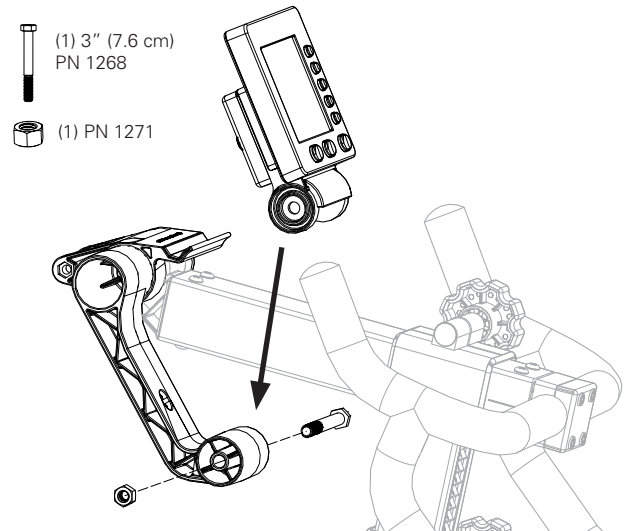
6



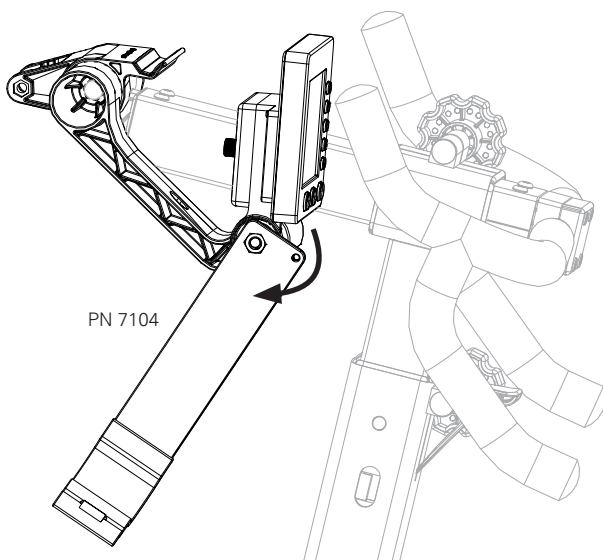
7



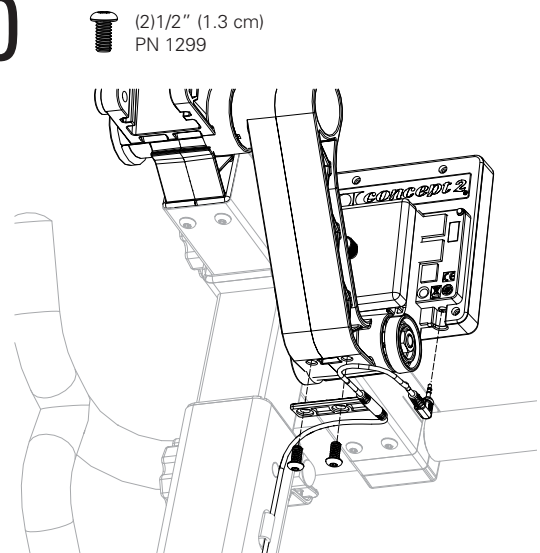
8



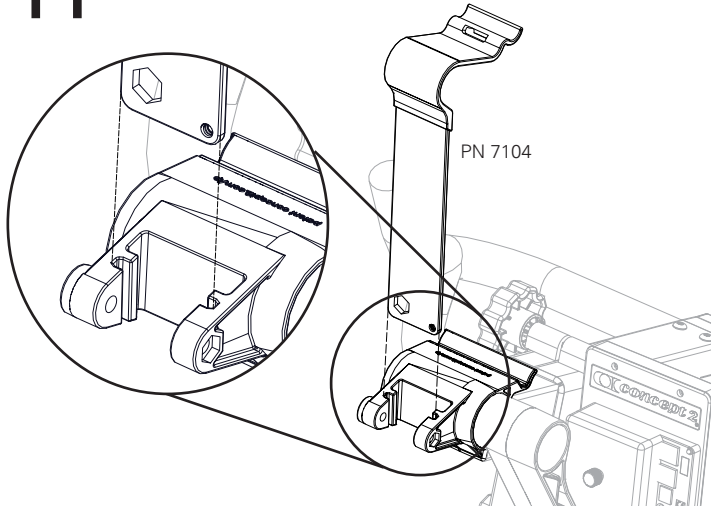
9



10

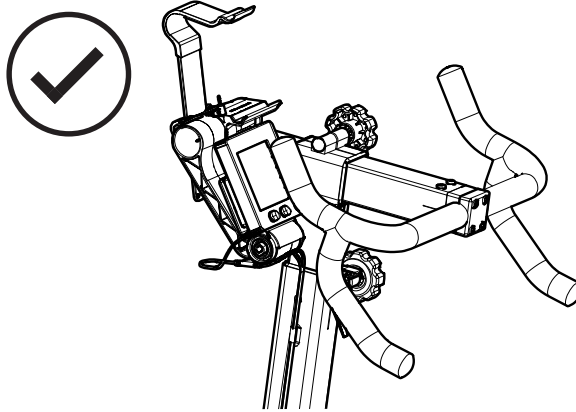
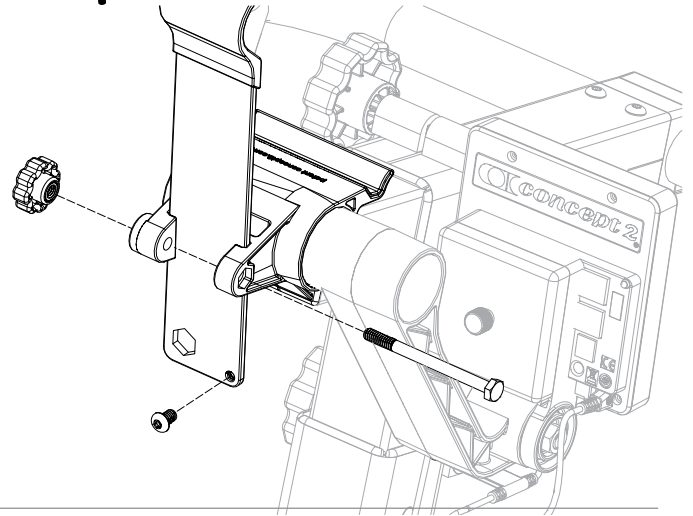


11

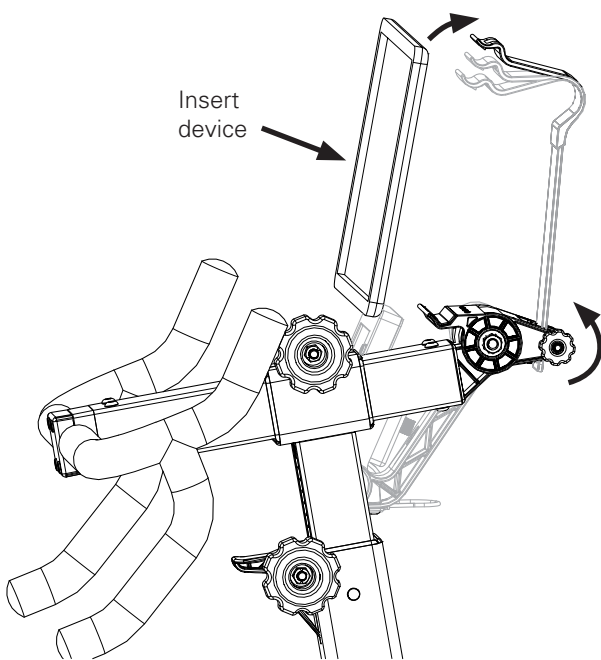


12

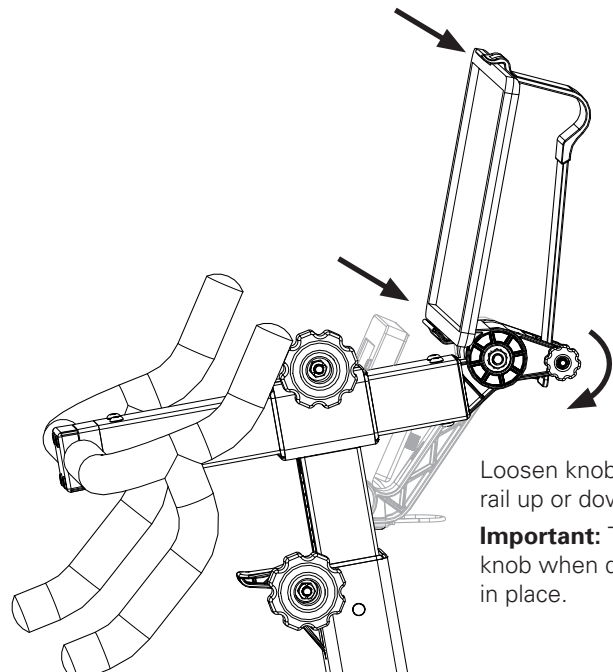
(1) 3 1/4" (8.3 cm) PN 1224    (1) PN 7120    (1) 3/8" (1 cm) PN 1238



### How to Use the Device Holder



Insert device



Loosen knob to slide rail up or down.

**Important:** Tighten knob when device is in place.