

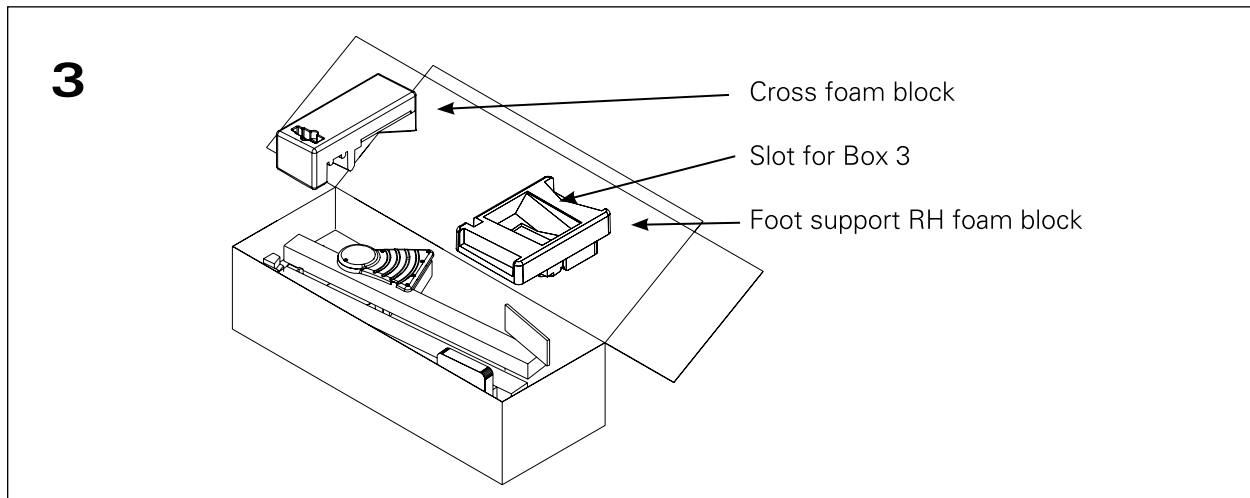
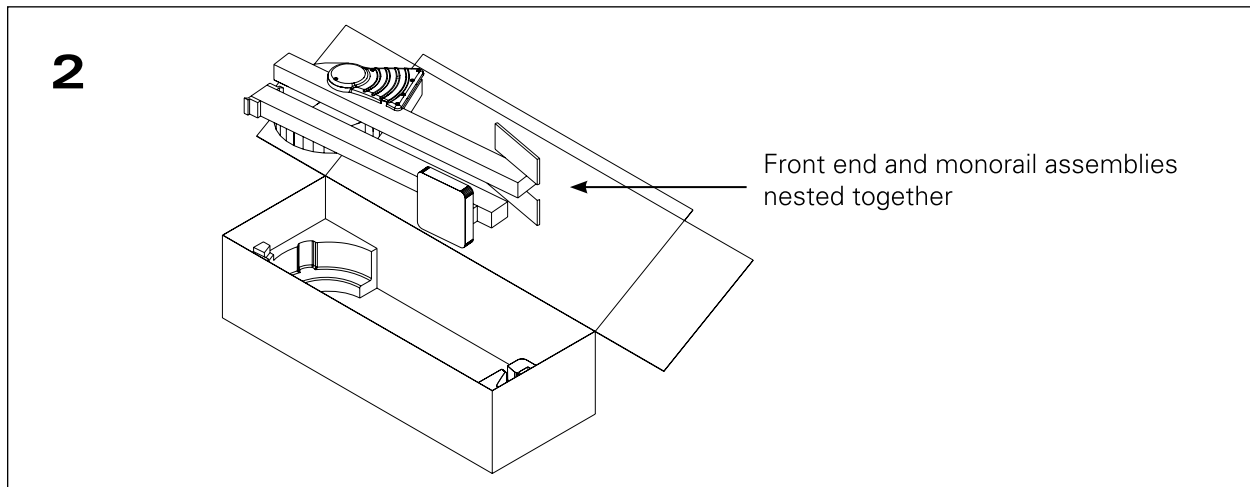
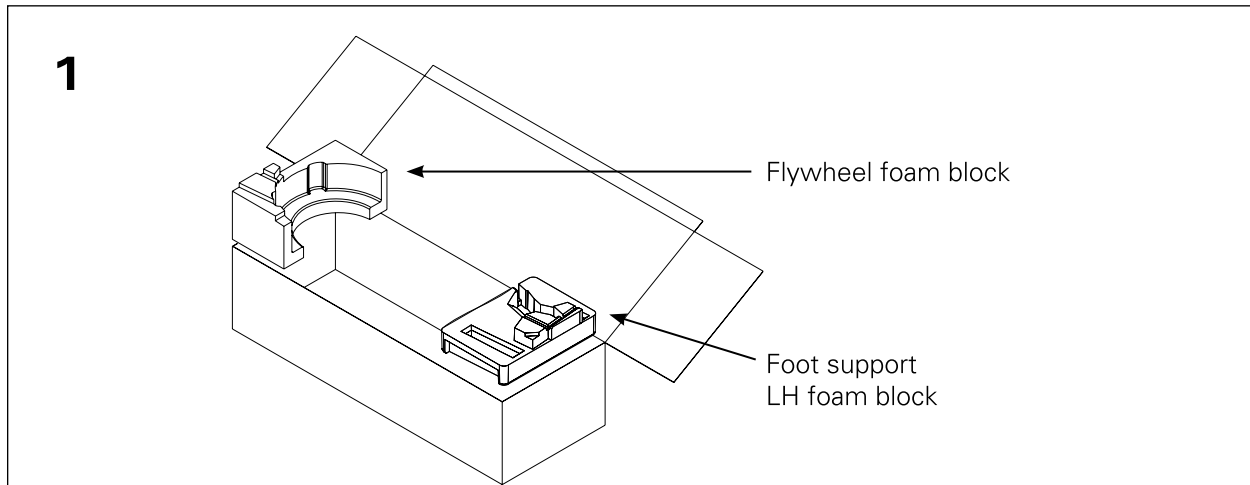
REBOXING MODEL E INDOOR ROWER

TOOLS NEEDED: hex allen wrench
fiber packing tape



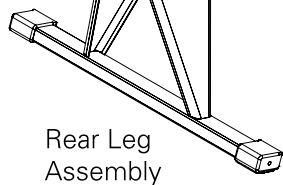
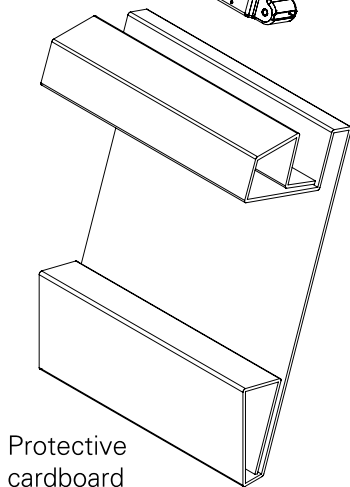
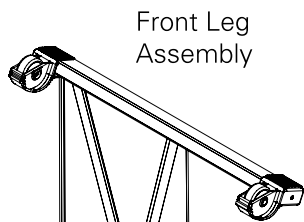
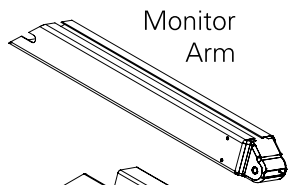
concept2.com

REBOXING BOX 1



REBOXING MODEL E INDOOR ROWER

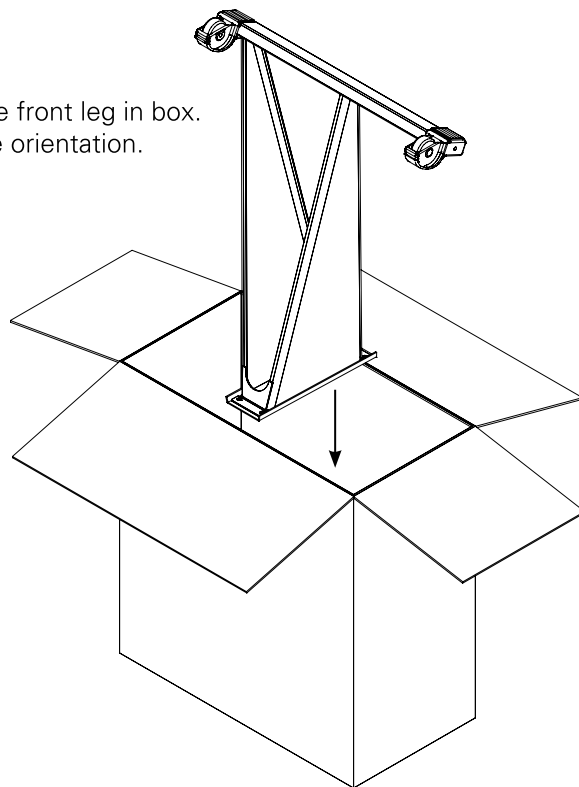
BOX 2 Contents



REBOXING BOX 2

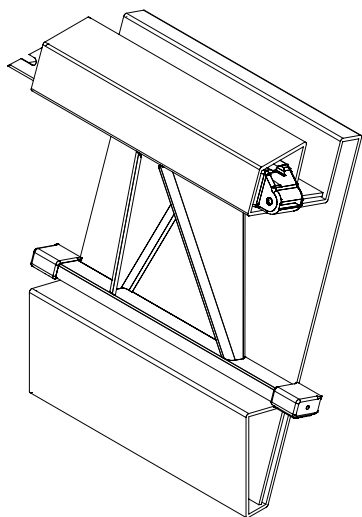
1

Place front leg in box. Note orientation.

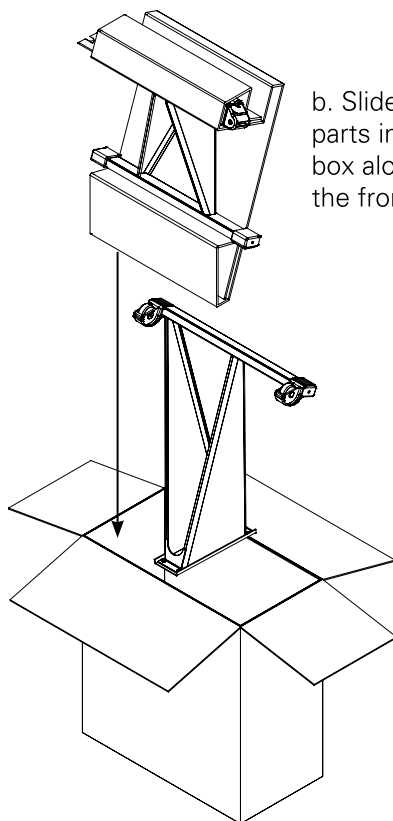


2

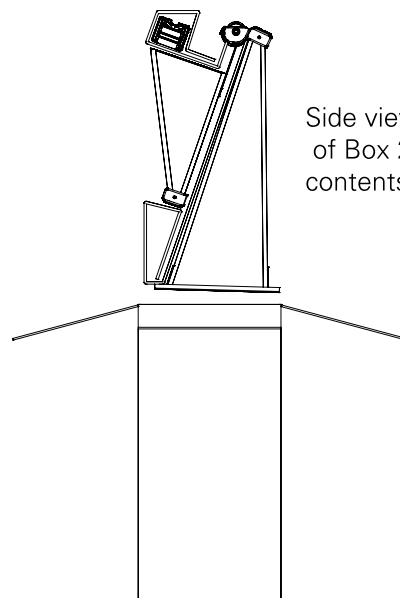
a. Place rear leg and monitor arm in folded cardboard as shown, noting their orientation.



b. Slide these parts into the box alongside the front leg.



Side view of Box 2 contents.



REBOXING BOX 3

Repack Box 3 items, taking care to protect the PM4. Place Box 3 monitor side DOWN into slot in foam in Box 1. See Step 3 on other side for Box 3 location.