

# Assembly Instructions

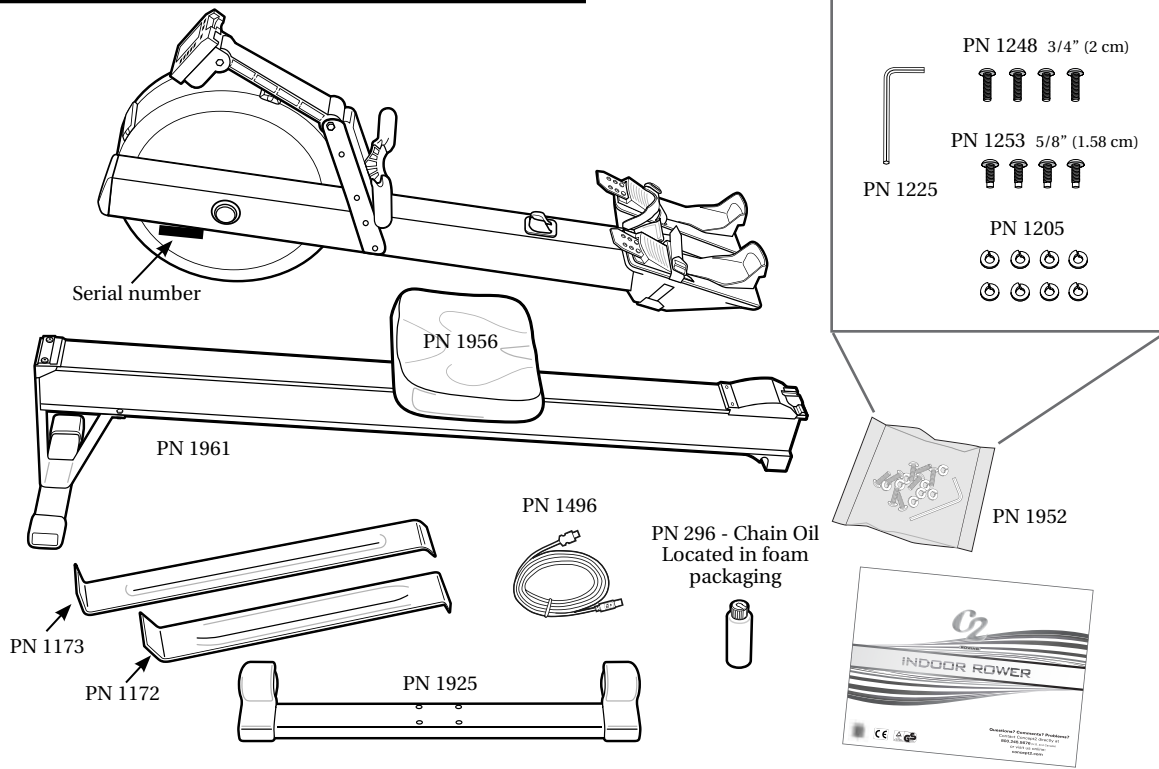
See inside for Model E assembly instructions.

# MODEL D

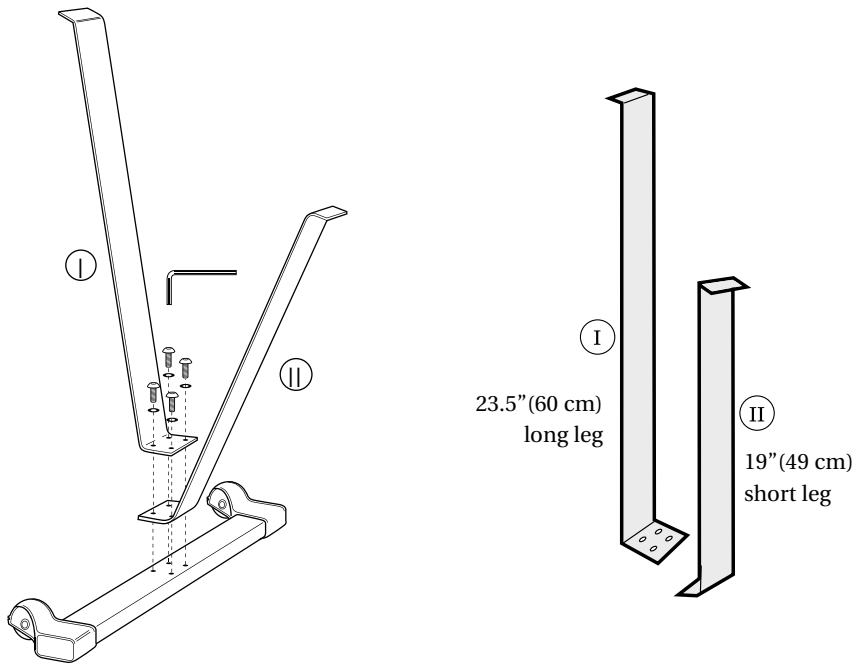
0412

**IMPORTANT NOTE:**  
Use these instructions for **MODEL D** assembly.

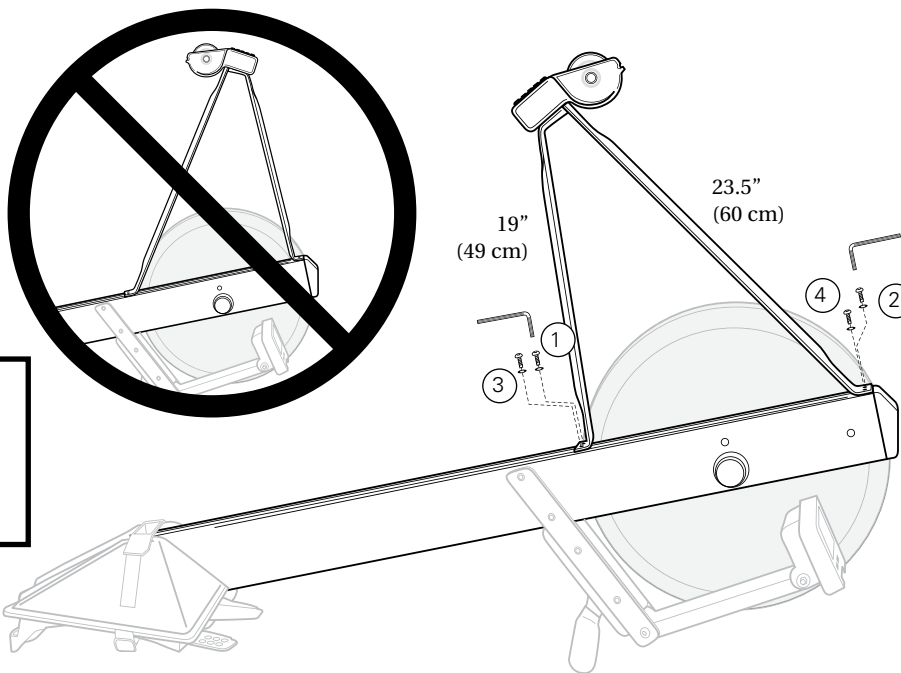
## MODEL D



- 1**
- 
- (4) 3/4" (2 cm)  
PN 1248

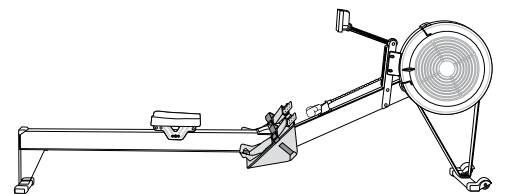
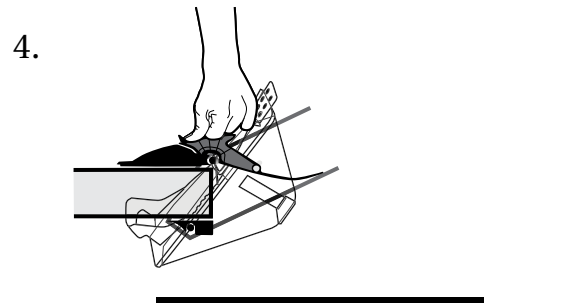
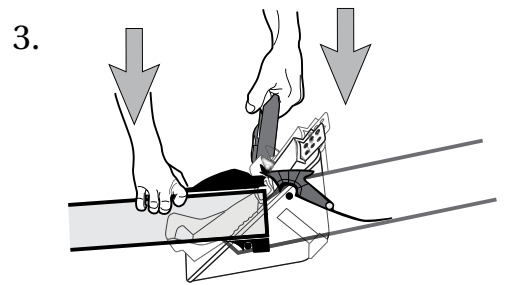
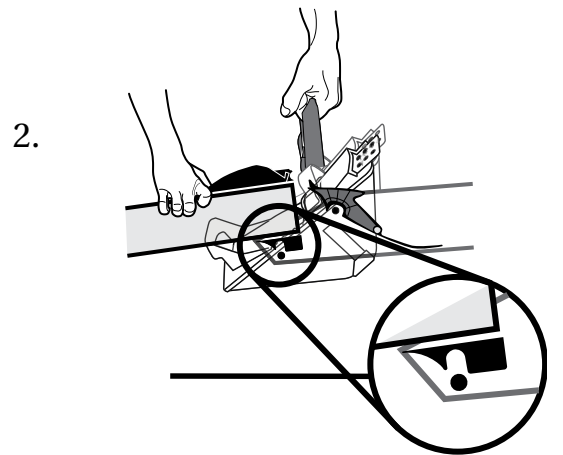
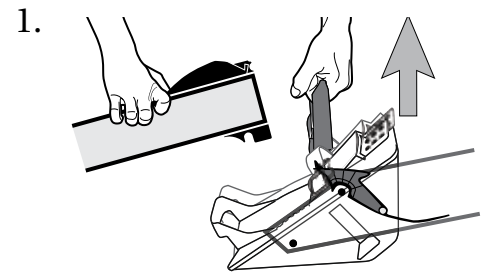
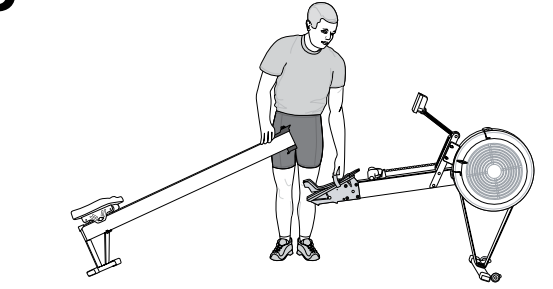


- 2**
- 
- (4) 5/8" (1.58 cm)  
PN 1253



**Assembly Tip**  
Finger tighten each screw in place before tightening fully.

## 3



## FOR PM4 ONLY

