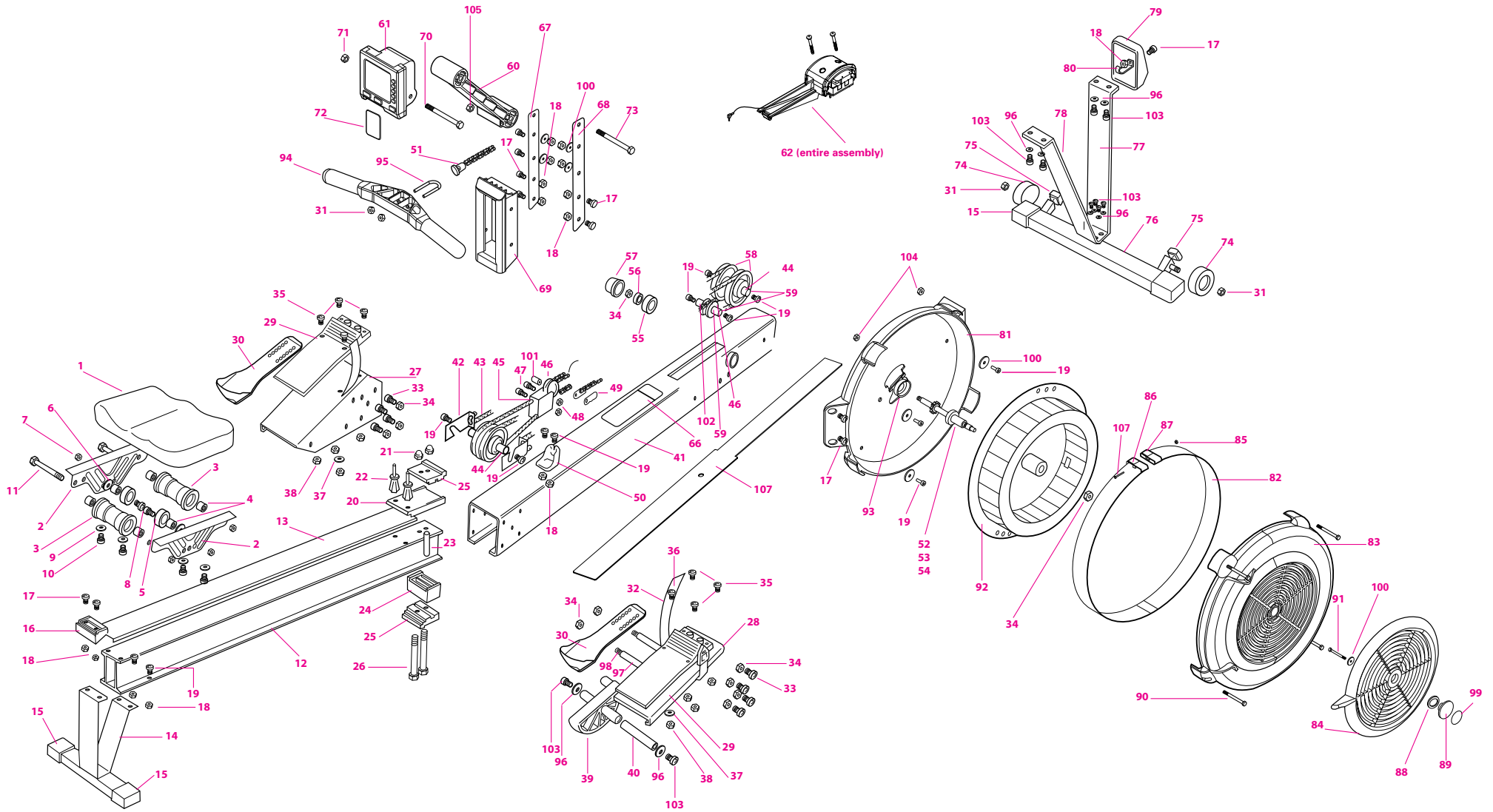


MODEL D SCHEMATIC INDOOR ROVER

For Model D Indoor Rowers
made **BEFORE** July 31, 2006



1	PN 1929	Seat Top w/Screws	51	PN 1716	Chain (with Connector and Swivel C/D)
2	PN 1923	Seat Carriage (left and right)	52	PN 1165	Flywheel Axle
3	PN 1724	Top Seat Roller x 2	53	PN 1300	17mm Bearing
4	PN 1302	Seat Roller Spacer x 6	54	PN 1163	Sprocket Quiet 14 Tooth D/E
5	PN 1725	Bottom Seat Roller x 2	55	PN 1013	R8 Bearing Rubber Cup
6	PN 125	Seat Roller Washer x 2	56	PN 232	R8 Bearing
7	PN 1209	Seat Roller Nut x 4	57	PN 1010	Bearing Cover
8	PN 1208	Bottom Seat Roller Bolt x 2	58	PN 1011	Shock Cord Pulley x 4
9	PN 1246	Seat Top Lock Washer x 4	59	PN 1130	Axle Shock Cord/Chain Idler Pulley x 3
10	PN 1207	Seat Top Screw x 4	60	PN 1025	Monitor Arm
11	PN 1211	Top Seat Roller Bolt x 2	61	PN 1874	PM3 Monitor
12	PN 1907	Monorail Assy. D w/Track	62	PN 1887	Generator Assembly
13	PN 1762	Track/Tape Assembly w/Rivet	66	PN 1533	Technique Label
14	PN 1951	Rear Leg	67	PN 1169	Chain Guide Bracket Left
15	PN 119	Rubber Foot x 4	68	PN 1168	Chain Guide Bracket Right
16	PN 1008	Rear Bumper	69	PN 1003	Chain Guide
17	PN 1201	3/4" Button Head Screw Patched	70	PN 1268	Monitor Arm Bolt 3.5" long
18	PN 1213	1/4" Nut	71	PN 1271	3/8" Nut
19	PN 1231	1/2" Button Head Screw Patched	72	PN 1810	Log Card w/Sleeve Assembly
20	PN 1006	Top Front Bumper	73	PN 1224	Monitor Arm Bolt 4" long
21	PN 1217	Acorn Nut x 2	74	PN 1308	Castor Wheels
22	PN 1251	Poly Rivet x 2	75	PN 1309	Castor Stop
23	PN 1103	Monorail Bolt Tube	76	PN 1925	Front Foot w/Casters
24	PN 1007	Bottom Front Bumper	77	PN 1173	Front Leg Long
25	PN 1102	Monorail Hanger x 2	78	PN 1172	Front Leg Short
26	PN 1204	Monorail Hanger Bolt x 2	79	PN 1009	End Cap
27	PN 1170	Left Foot Bracket	80	PN 1131	End Cap Hook
28	PN 1171	Right Foot Bracket	81	PN 1031	Flywheel Cover Back
29	PN 1720	Flex foot / Stretcher Cover W/ Screws	82	PN 1912	Outlet Perf w/connectors
30	PN 1017	Flex foot x 2	83	PN 1942	Flywheel Cover Front Assembly
31	PN 1235	1/4" Nylock Nut x 4	84	PN 1033	Damper
32	PN 1501	Foot Strap x 2	85	PN 1274	1275 Outlet Perf Connector Screw & Nut
33	PN 1210	Foot Bracket Screws - Allen Key Head x 8	86	PN 1035	Perf Connector Screw Side
34	PN 1244	3/8" Nylock Nut x 13	87	PN 1036	Perf Connector Nut Side
35	PN 1227	Short Toe Piece Screw x 6	88	PN 1278	Wave Washer
36	PN 1228	Long Toe Piece Screw x 2	89	PN 1034	Hub Cap
37	PN 1229	Toe Piece Washer x 2	90	PN 1276	Flywheel Cover Bolt x 4
38	PN 1212	Nylock Nut Toe Piece x 8	91	PN 1273	Damper Screw
39	PN 1792	Frame Lock	92	PN 1940	Flywheel Assembly w/Magnet
40	PN 1144	Frame Lock Axle	93	PN 1012	17mm Bearing Rubber Cup
41	PN 1178	Box Frame	94	PN 1040	Handle W/ Grips
42	PN 1104	S.C.A.M. x 2	95	PN 244	Handle U Bolt
43	PN 1731	Shock Cord	96	PN 1205	Lock Washer x 10
44	PN 1310	Shock Cord Pulley Axle Spacer x 4	97	PN 1105	Hanger Bolt Tube x 2
45	PN 1756	Traveling Pulley Assembly C/D/E	98	PN 1203	Hanger Bolt x 2
46	PN 1024	Chain Idler Pulley x 2	99	PN 1534	Hub Cap Label
47	PN 1206	Traveling Pulley Screws x 2	100	PN 1232	Fender Washer x 8
48	PN 1249	1/4" Nylock Jam nut x 2	101	PN 1303	Traveling Pulley Spacer
49	PN 285	Chain Connector x 2	102	PN 1305	Idler Pulley Spacer x 2
50	PN 1754	Handle Hook	103	PN 1248	3/4" Button Head Screw
			104	PN 327	Nut #10 SS (4)
			105	PN 1270	Nut Nylock Zinc 3/8 - 16 ZP
			106	PN 1274	Pan PH #6 x 2 SS
			107	PN 1526	Return Mechanism Cover