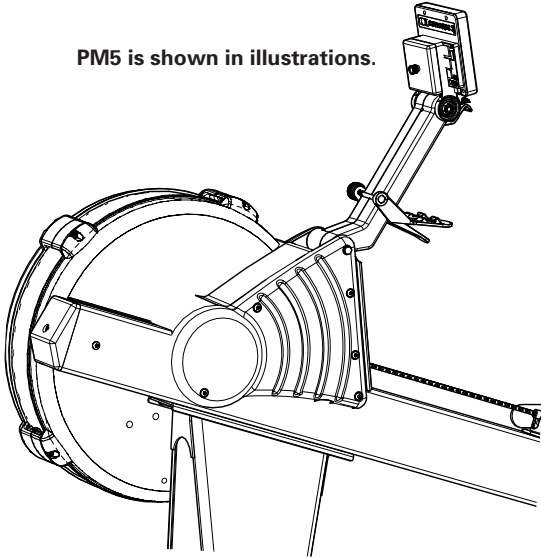


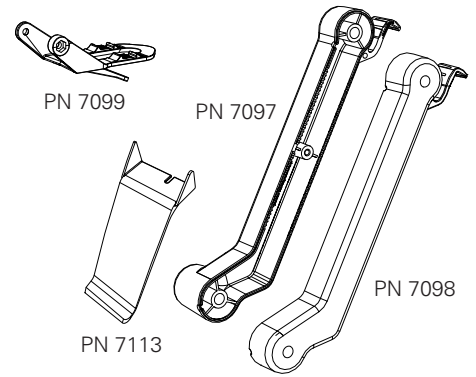
DEVICE HOLDER INSTALLATION FOR MODEL E ROWERG

PM5 is shown in illustrations.



PARTS *not to scale

- x 1 3.25" (8.26 cm) PN 1224
- x 1 1" (2.54 cm) PN 1279
- x 1 5" (12.7 cm) PN 2455
- x 1 PN 7101 x 1 PN 2216
- x 1 PN 2394 x 2 PN 7143



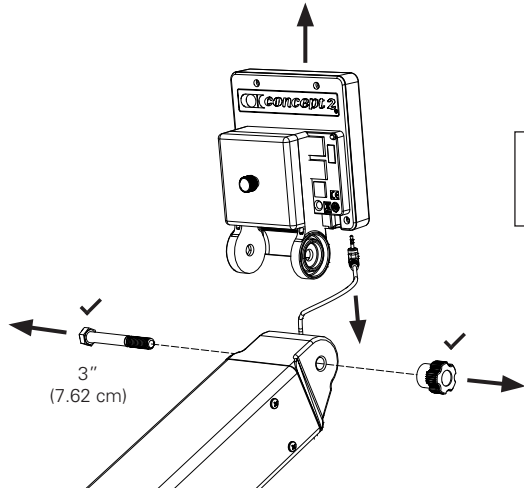
For PM3 and PM4

- x 1 3" (7.62 cm) PN 1268
- x 1 PN 1271
- x 1 PN 7112

TOOLS *not included

- Phillips Screwdriver x 1
- Wrench 7/16" (11 mm) x 1
- T-27 Driver PN 2230 x 1
- Wrench 9/16" (14 mm) x 1

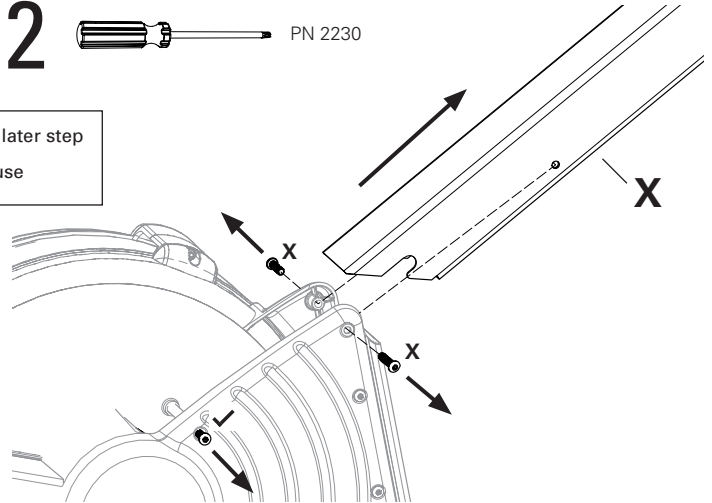
1



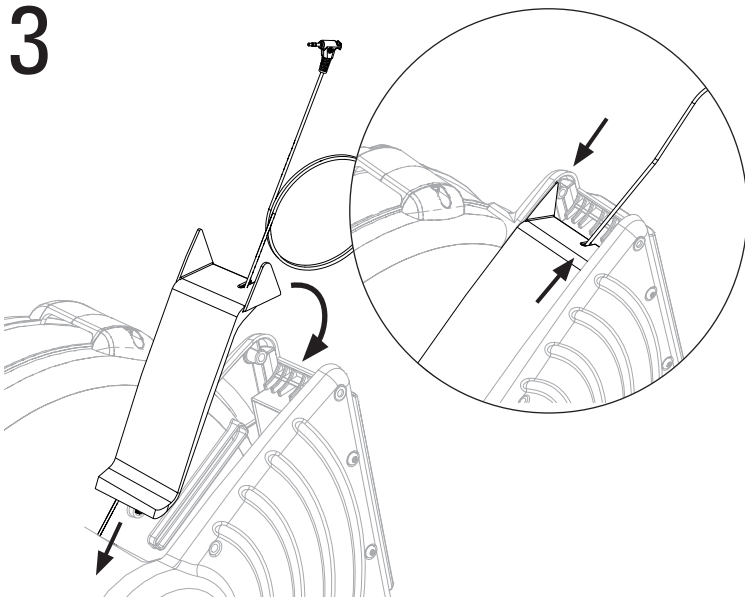
2



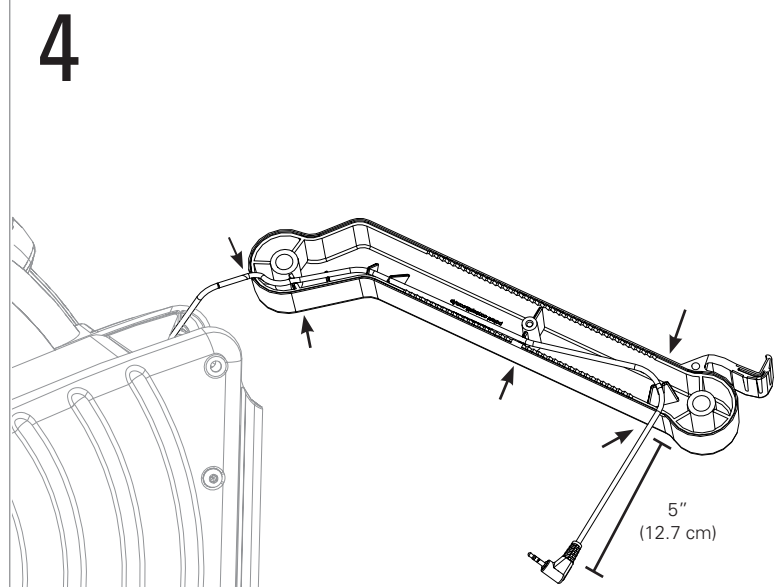
✓ = reuse in a later step
X = do not reuse



3



4



DEVICE HOLDER INSTALLATION FOR MODEL E ROWERG

5 Phillips Screwdriver

(1) 1" (2.54 cm)
PN 1279

(2) PN 7143

PN 1279

PN 7143

PN 7143

6 Wrench 7/16" (11 mm)

(1) 5" (12.7 cm)
PN 2455

(1) PN 2216

(1) PN 2394

PN 2394

PN 2216

PN 2455

from step 2

7 For PM5 only.

from step 1

3"
(7.62 cm)

from step 1

For PM3 and PM4 only.

from step 1

Wrench 9/16" (14 mm)

(1) 3" (7.62 cm)
PN 1268

(1) PN 1271

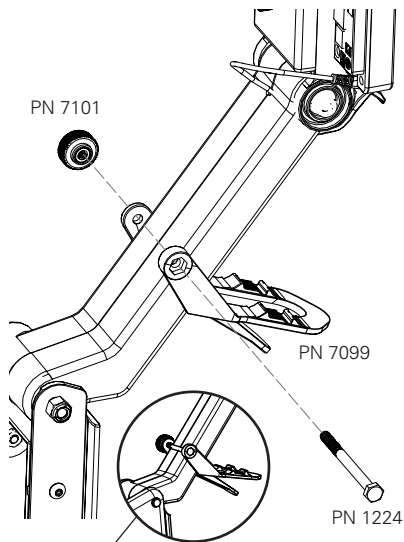
PN 7112

PN 1268

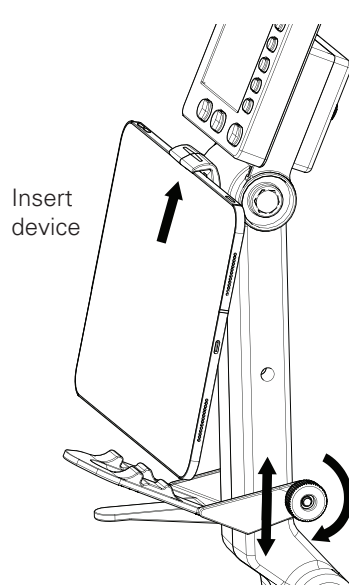
PN 7112

PN 1271

How to Use the Device Holder



Note: PN 1224 goes behind the arm



Loosen knob to slide lower bracket up or down.

Important:
Tighten knob when device is in place.

