

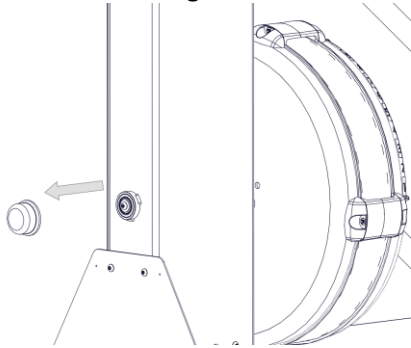
SkiErg Axle Cap Washer Installation

TOOLS REQUIRED

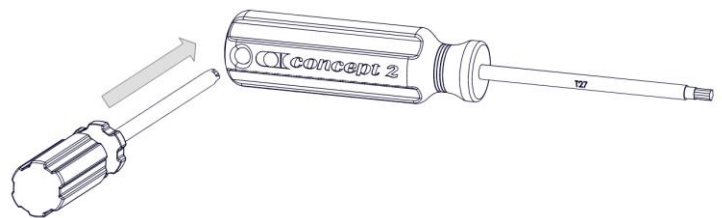
- T-27 assembly screwdriver
- Screwdriver to slide through the hole in the handle of the assembly screwdriver

PROCEDURE

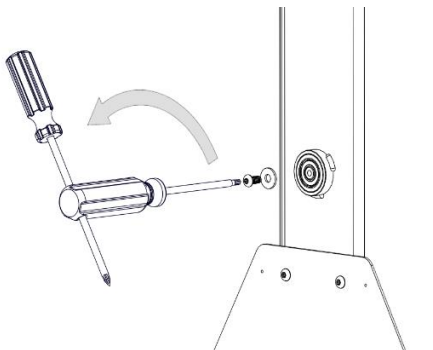
1. Remove the bearing cover.



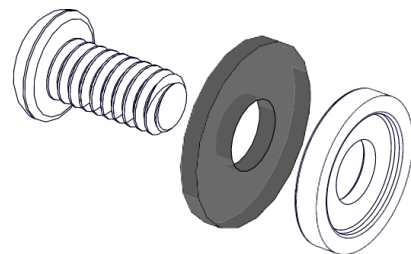
2. Slide a screwdriver through the hole in the assembly screwdriver to make a T-handle.



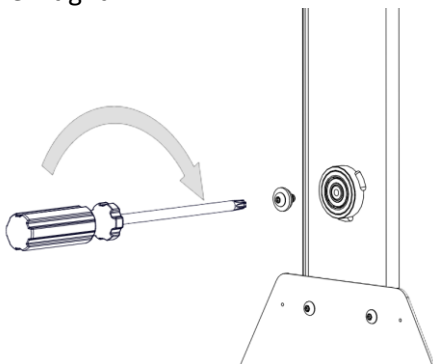
3. Being careful not to push the axle through the bearing, remove the screw and washer from the end of the axle.



4. Leaving the black, flat washer in place, add the cap washer to the screw. The cup-side of the washer should face the axle.



5. Tighten the screw into the axle. Make quick turns against a stopped flywheel to get the screw tight.



6. Put the bearing cover on the bearing mount.

