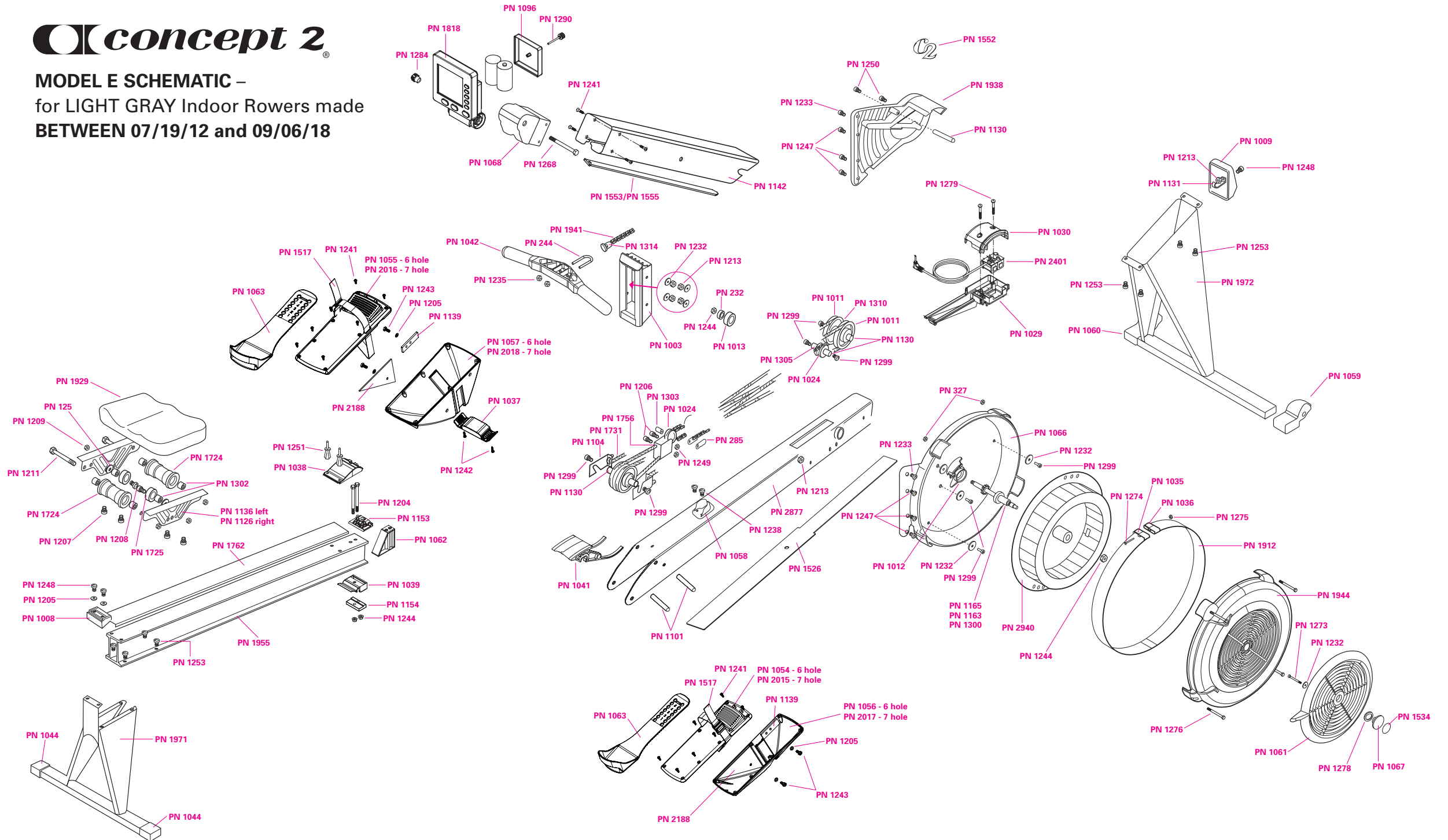




MODEL E SCHEMATIC –
for LIGHT GRAY Indoor Rowers made
BETWEEN 07/19/12 and 09/06/18



| PN | Description |
|------|--|
| 125 | WASHER 3/8 |
| 232 | R8 BEARING |
| 244 | U BOLT |
| 285 | CHAIN CONNECTOR SMALL |
| 327 | NUT #10 SS |
| 1003 | CHAIN GUIDE |
| 1008 | REAR BUMPER |
| 1009 | END CAP |
| 1011 | SHOCK CORD PULLEY |
| 1012 | 17MM BEARING RUBBER CUP |
| 1013 | R8 BEARING CUP |
| 1024 | CHAIN IDLER PULLEY |
| 1029 | GENERATOR BASE |
| 1030 | GENERATOR COVER |
| 1035 | PERF CONNECTOR SCREW SIDE |
| 1036 | PERF CONNECTOR NUT SIDE |
| 1037 | COMPRESSION MEMBER |
| 1038 | UPPER HANGER PLASTIC |
| 1039 | LOWER HANGER PLASTIC |
| 1041 | MOUSE |
| 1042 | HANDLE |
| 1044 | REAR FOOT D/E |
| 1054 | FOOT STRETCHER COVER RIGHT - 6 SCREW HOLES |
| 1055 | FOOT STRETCHER COVER LEFT - 6 SCREW HOLES |
| 1056 | BELLY RIGHT FOOT STRETCHER - 6 SCREW HOLES |
| 1057 | BELLY LEFT FOOT STRETCHER - 6 SCREW HOLES |
| 1058 | HANDLE HOOK MODEL D2/E |
| 1059 | FOOTCASTER RIGHT |
| 1060 | FOOTCASTER LEFT |
| 1061 | DAMPER D2 / E |
| 1062 | MONORAIL BOLT SUPPORT |
| 1063 | FLEXFOOT GREY D/E |
| 1066 | FLYWHEEL COVER BACK E |
| 1067 | HUB CAP MODEL D2 / E |
| 1068 | MONITOR MOUNT |
| 1096 | BATTERY DOOR PM5 |
| 1101 | HANGER SHAFT THREADED |
| 1104 | SCAM |
| 1130 | AXLE SHOCK CORD/CHAIN IDLER PULLEY |
| 1131 | END CAP HOOK |
| 1126 | SEAT CARRIAGE RIGHT - BLACK |
| 1136 | SEAT CARRIAGE LEFT - BLACK |
| 1139 | REINFORCING BRACKET |
| 1142 | MONITOR ARM MODEL E |
| 1153 | UPPER DIE CAST HANGER |
| 1154 | LOWER DIE CAST HANGER |
| 1163 | SPROCKET |
| 1165 | AXLE |
| 1971 | REAR LEG WITH FEET |
| 1204 | SCREW 3/8 - 16 X 5.5 ZP GR5 |
| 1205 | LOCK WASHERS |
| 1206 | TRAVELING PULLEY SCREWS |
| 1207 | SCREW SL HWMS 10/24 X 1/2 PATCH |
| 1208 | SCREW 3/8 - 16 X 1.25 LOW PROFILE SH |
| 1209 | NUT 3/8 - 16 BC NYLOCK |

| PN | Description |
|------|--|
| 1211 | SCREW 3/8 - 16 X 4.5 BC |
| 1213 | 1/4 20 NUT |
| 1231 | SCREW 1/4 - 20 X 1/2 SS BUTTONHEAD PATCH C/D/E |
| 1232 | FENDER WASHER |
| 1233 | HSBH 1/4 X 20 X 1 SS UNPATCHED |
| 1235 | NUT 1/4 - 20 NYLOCK SS |
| 1238 | SOCKET SCREW 1/4-20 X 3/8 |
| 1241 | 8-16 X 1/2 TFS SCREW |
| 1242 | 10 X 3/4 TFS SCREW |
| 1243 | 1/4 - 20 X 5/8 HCS GR .5 ZP |
| 1244 | 3/8 - 16 ZP NYLOCK ZINC |
| 1247 | 1/4 20 X 1 SS BUTTON PATCHED |
| 1248 | SCREW 1/4 - 20 X 3/4 SS BUTTONHEAD C/D/E |
| 1249 | NUT 1/4 - 20 ZP THIN NYLOCK |
| 1250 | 1/4 - 20 X 1.5 SS BUTTON |
| 1251 | POLY RIVET |
| 1253 | SCREW 1/4 - 20 X 5/8 SS EPOXY PATCH BUTTONHEAD C/D/E |
| 1268 | HCS 3/8 X 3 SS WAXED |
| 1273 | DAMPER SCREW |
| 1274 | PAN PH #6 X SS |
| 1275 | #6 NUT STAINLESS STEEL |
| 1276 | FLYWHEEL COVER BOLT |
| 1278 | WAVE WASHER |
| 1279 | #8 PAN HEAD PHILLIPS SS SCREW |
| 1284 | KNOB MONITOR MOUNT |
| 1290 | THUMBSCREW BATTERY DOOR |
| 1299 | 6 LOBE SCREW 1/4 - 20 X 1/2 SS |
| 1300 | BEARING 17MM |
| 1302 | SEAT SPACER |
| 1303 | TRAVELING PULLEY SPACER |
| 1305 | IDLER PULLEY SPACER |
| 1310 | SC PULLEY SPACER |
| 1314 | SWIVEL BUSHING |
| 1456 | BATTERY COVER PM3/4 (NOT SHOWN) |
| 1493 | PM4 RECHARGEABLE BATTERY PACK (NOT SHOWN) |
| 1517 | FOOTSTRAP WITH BUCKLE (ONE PER SIDE) |
| 1526 | RETURN MECHANISM COVER |
| 1534 | LABEL HUB CAP D/E |
| 1552 | C2 NAMEPLATE EMBLEM |
| 1553 | E MONITOR ARM COVER(MACHINES MADE PRIOR TO 7/1/07) |
| 1555 | E MONITOR ARM COVER(MACHINES MADE AFTER 7/1/07) |
| 1724 | TOP ROLLER |
| 1725 | BOTTOM ROLLER |
| 1731 | SHOCK CORD |
| 1756 | TRAVELING PULLEY ASSY |
| 1762 | TRACK/TAPE ASSEMBLY W/RIVET |
| 1810 | LOGCARD WITH SLEEVE FOR PM3 OR PM4 (NOT SHOWN) |
| 1818 | PM5 MONITOR D/E/DYNAMIC |
| 1876 | PM4 MONITOR (NOT SHOWN) |
| 1912 | OUTLET PERF WITH CONNECTORS |
| 1929 | SEAT TOP W/SCREWS |
| 1938 | CHAIN HOUSING WITH C2 EMBLEM |
| 1941 | NICKEL PLATED CHAIN W/CONNECTORS |
| 1944 | FAN COVER ASSY E |
| 1955 | MONORAIL WITH TRACK ASSEMBLY |

| PN | Description |
|------|--|
| 1971 | REAR LEG W/FEET GRAY ASSEMBLY |
| 1972 | FRONT LEG AND FOOT WITH CASTER E |
| 2015 | FOOT STRETCHER COVER RIGHT - 7 SCREW HOLES |
| 2016 | FOOT STRETCHER COVER LEFT - 7 SCREW HOLES |
| 2017 | BELLY RIGHT FOOT STRETCHER - 7 SCREW HOLES |
| 2018 | BELLY LEFT FOOT STRETCHER - 7 SCREW HOLES |
| 2188 | INTERNAL BRACE FOOT BELLY D/E |
| 2401 | SENSOR COIL |
| 2877 | BOX FRAME E |
| 2940 | FLYWHEEL ASSEMBLY (MACHINES MADE 10/30/06 OR LATER) |



MODEL E SCHEMATIC –
for LIGHT GRAY Indoor Rowers made
BETWEEN 07/19/12 and 09/06/18

| PN | Description |
|------|--|
| 125 | WASHER 3/8 |
| 232 | R8 BEARING |
| 244 | U BOLT |
| 285 | CHAIN CONNECTOR SMALL |
| 327 | NUT #10 SS |
| 1003 | CHAIN GUIDE |
| 1008 | REAR BUMPER |
| 1009 | END CAP |
| 1011 | SHOCK CORD PULLEY |
| 1012 | 17MM BEARING RUBBER CUP |
| 1013 | R8 BEARING CUP |
| 1024 | CHAIN IDLER PULLEY |
| 1029 | GENERATOR BASE |
| 1030 | GENERATOR COVER |
| 1035 | PERF CONNECTOR SCREW SIDE |
| 1036 | PERF CONNECTOR NUT SIDE |
| 1037 | COMPRESSION MEMBER |
| 1038 | UPPER HANGER PLASTIC |
| 1039 | LOWER HANGER PLASTIC |
| 1041 | MOUSE |
| 1042 | HANDLE |
| 1044 | REAR FOOT D/E |
| 1054 | FOOT STRETCHER COVER RIGHT - 6 SCREW HOLES |
| 1055 | FOOT STRETCHER COVER LEFT - 6 SCREW HOLES |
| 1056 | BELLY RIGHT FOOT STRETCHER - 6 SCREW HOLES |
| 1057 | BELLY LEFT FOOT STRETCHER - 6 SCREW HOLES |
| 1058 | HANDLE HOOK MODEL D2/E |
| 1059 | FOOTCASTER RIGHT |
| 1060 | FOOTCASTER LEFT |
| 1061 | DAMPER D2 / E |
| 1062 | MONORAIL BOLT SUPPORT |
| 1063 | FLEXFOOT GREY D/E |
| 1066 | FLYWHEEL COVER BACK E |
| 1067 | HUB CAP MODEL D2 / E |
| 1068 | MONITOR MOUNT |
| 1096 | BATTERY DOOR PM5 |
| 1101 | HANGER SHAFT THREADED |
| 1104 | SCAM |
| 1130 | AXLE SHOCK CORD/CHAIN IDLER PULLEY |
| 1131 | END CAP HOOK |
| 1126 | SEAT CARRIAGE RIGHT - BLACK |
| 1136 | SEAT CARRIAGE LEFT - BLACK |
| 1139 | REINFORCING BRACKET |
| 1142 | MONITOR ARM MODEL E |
| 1153 | UPPER DIE CAST HANGER |
| 1154 | LOWER DIE CAST HANGER |
| 1163 | SPROCKET |
| 1165 | AXLE |
| 1971 | REAR LEG WITH FEET |
| 1204 | SCREW 3/8 - 16 X 5.5 ZP GR5 |
| 1205 | LOCK WASHERS |
| 1206 | TRAVELING PULLEY SCREWS |
| 1207 | SCREW SL HWMS 10/24 X 1/2 PATCH |
| 1208 | SCREW 3/8 - 16 X 1.25 LOW PROFILE SH |
| 1209 | NUT 3/8 - 16 BC NYLOCK |

| PN | Description |
|------|--|
| 1211 | SCREW 3/8 - 16 X 4.5 BC |
| 1213 | 1/4 20 NUT |
| 1231 | SCREW 1/4 - 20 X 1/2 SS BUTTONHEAD PATCH C/D/E |
| 1232 | FENDER WASHER |
| 1233 | HSBH 1/4 X 20 X 1 SS UNPATCHED |
| 1235 | NUT 1/4 - 20 NYLOCK SS |
| 1238 | SOCKET SCREW 1/4-20 X 3/8 |
| 1241 | 8-16 X 1/2 TFS SCREW |
| 1242 | 10 X 3/4 TFS SCREW |
| 1243 | 1/4 - 20 X 5/8 HCS GR .5 ZP |
| 1244 | 3/8 - 16 ZP NYLOCK ZINC |
| 1247 | 1/4 20 X 1 SS BUTTON PATCHED |
| 1248 | SCREW 1/4 - 20 X 3/4 SS BUTTONHEAD C/D/E |
| 1249 | NUT 1/4 - 20 ZP THIN NYLOCK |
| 1250 | 1/4 - 20 X 1.5 SS BUTTON |
| 1251 | POLY RIVET |
| 1253 | SCREW 1/4 - 20 X 5/8 SS EPOXY PATCH BUTTONHEAD C/D/E |
| 1268 | HCS 3/8 X 3 SS WAXED |
| 1273 | DAMPER SCREW |
| 1274 | PAN PH #6 X SS |
| 1275 | #6 NUT STAINLESS STEEL |
| 1276 | FLYWHEEL COVER BOLT |
| 1278 | WAVE WASHER |
| 1279 | #8 PAN HEAD PHILLIPS SS SCREW |
| 1284 | KNOB MONITOR MOUNT |
| 1290 | THUMBSCREW BATTERY DOOR |
| 1299 | 6 LOBE SCREW 1/4 - 20 X 1/2 SS |
| 1300 | BEARING 17MM |
| 1302 | SEAT SPACER |
| 1303 | TRAVELING PULLEY SPACER |
| 1305 | IDLER PULLEY SPACER |
| 1310 | SC PULLEY SPACER |
| 1314 | SWIVEL BUSHING |
| 1456 | BATTERY COVER PM3/4 (NOT SHOWN) |
| 1493 | PM4 RECHARGEABLE BATTERY PACK (NOT SHOWN) |
| 1517 | FOOTSTRAP WITH BUCKLE (ONE PER SIDE) |
| 1526 | RETURN MECHANISM COVER |
| 1534 | LABEL HUB CAP D/E |
| 1552 | C2 NAMEPLATE EMBLEM |
| 1553 | E MONITOR ARM COVER(MACHINES MADE PRIOR TO 7/1/07) |
| 1555 | E MONITOR ARM COVER(MACHINES MADE AFTER 7/1/07) |
| 1724 | TOP ROLLER |
| 1725 | BOTTOM ROLLER |
| 1731 | SHOCK CORD |
| 1756 | TRAVELING PULLEY ASSY |
| 1762 | TRACK/TAPE ASSEMBLY W/RIVET |
| 1810 | LOGCARD WITH SLEEVE FOR PM3 OR PM4 (NOT SHOWN) |
| 1818 | PM5 MONITOR D/E/DYNAMIC |
| 1876 | PM4 MONITOR (NOT SHOWN) |
| 1912 | OUTLET PERF WITH CONNECTORS |
| 1929 | SEAT TOP W/SCREWS |
| 1938 | CHAIN HOUSING WITH C2 EMBLEM |
| 1941 | NICKEL PLATED CHAIN W/CONNECTORS |
| 1944 | FAN COVER ASSY E |
| 1955 | MONORAIL WITH TRACK ASSEMBLY |

| PN | Description |
|------|--|
| 1971 | REAR LEG W/FEET GRAY ASSEMBLY |
| 1972 | FRONT LEG AND FOOT WITH CASTER E |
| 2015 | FOOT STRETCHER COVER RIGHT - 7 SCREW HOLES |
| 2016 | FOOT STRETCHER COVER LEFT - 7 SCREW HOLES |
| 2017 | BELLY RIGHT FOOT STRETCHER - 7 SCREW HOLES |
| 2018 | BELLY LEFT FOOT STRETCHER - 7 SCREW HOLES |
| 2188 | INTERNAL BRACE FOOT BELLY D/E |
| 2336 | SPACER ANTI-SKIP ANTI-THROW |
| 2401 | SENSOR COIL |
| 2877 | BOX FRAME E - GRAY |
| 2940 | FLYWHEEL ASSEMBLY (MACHINES MADE 10/30/06 OR LATER) |
| 7023 | GENERATOR BASE W/ASAT SPACER |



MODEL E SCHEMATIC –
for LIGHT GRAY Indoor Rowers made
AFTER 09/07/18