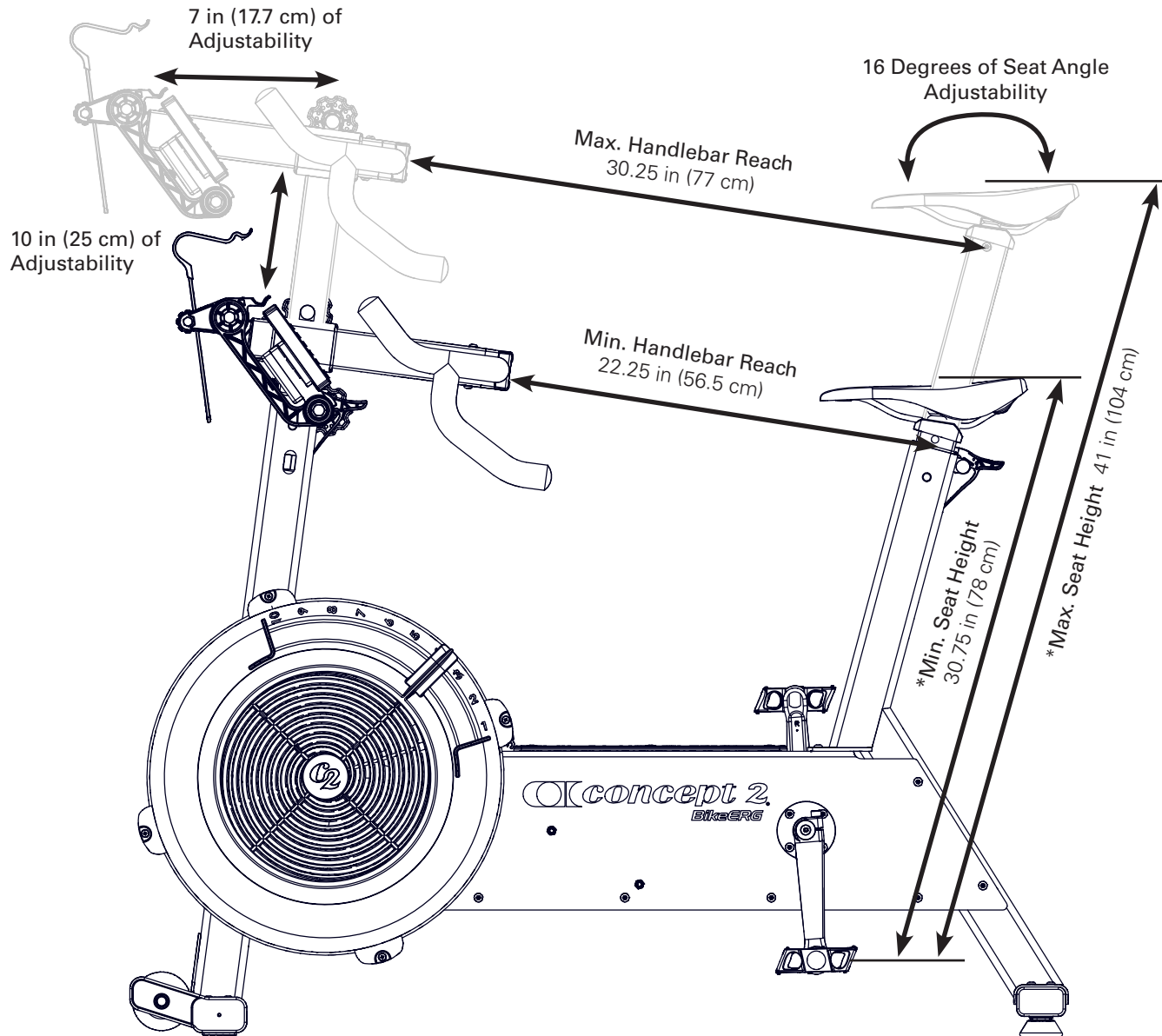


BikeERG

Minimum and Maximum BikeErg Sizing

Dimensions shown in the illustration are for BikeErg with Standard Height Seat PN 2900



*Suitable for inside leg measurements between:
28 in–37 in (71.1 cm–94 cm)

Other dimensions:

- Crank length: 170 mm
- Q Factor: 155 mm (This is the distance between the pedal attachment points on the crank arms, when measured parallel to the bottom bracket axle.)
- Saddle fore/aft: Approximately 1.5 in (38.1 mm)
- Handlebar clamp size: 1.0 in (25.4 mm)
- Pedal thread: 9/16 in x 20 tpi

Seat Height range for BikeErg with Low Seat PN 2910:

- Seat height range to 28.75 in–38 in (73 cm–97 cm). Suitable for inside leg measurements between 26 in–35 in (66 cm–89 cm).

Options available for purchase:

- TALL seat post assembly – PN 2837. This will change the seat height range to 34.25 in–44.50 in (87 cm–113 cm). Suitable for inside leg measurements between 31 in–41 in (78.75 cm–104 cm).
- LOW seat retrofit assembly – PN 2855. This will change the seat height range to 28.75 in–38 in (73 cm–97 cm). Suitable for inside leg measurements between 26 in–35 in (66 cm–89 cm).